

# 4000 - Outdoor & Gardening

## Pipes and fittings with thread GAS

0400312

### TECHNICAL DATA SHEET

<b>Connectivity standard</b>	External thread GAS cylindrical ISO 228/1 Bucchi srl for pipe fittings adopts as standard connection ISO 228/1; in order to improve hydraulic seal has decided to create its own internal regulations, based on a soft conical thread. Therefore it is noted that to ensure the hydraulic seal declared
<b>Material</b>	EPDM Glass fiber reinforced polypropylene
<b>Color</b>	Black (RAL 9011)
<b>Operating pressure</b>	10 bar at 20°C
<b>Max working temperature</b>	80°C

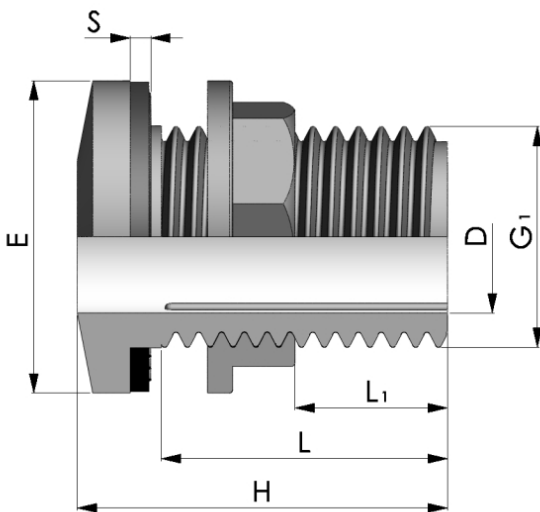
**Torques**

The maximum tightening torques specified for fittings Bucchi depend on the compliance of the threads that reference to international specifications on the threads.

Filettature - Threads - Filetts	1/4"	3/8"	1/2"	3/4"	1"	1"1/4	1"1/2	2"
Serraggio Max materiale PP - Max Tightening PP material - Serrage Max Matériel PP	2 Nm	3 Nm	6 Nm	8 Nm	10 Nm	15 Nm	20 Nm	25 Nm
Serraggio Max materiale PA - Max Tightening PA material - Serrage Max Matériel PA	3 Nm	5 Nm	8 Nm	10 Nm	12 Nm	17 Nm	30 Nm	35 Nm

### M TANK ADAPTOR

with male threaded end G1 with clamping collar and EPDM flat gasket



(N) = NEW

Code	G1	L	L1	D	S	H	E
0400312.050303	1/2"	38	24,5	13	2,5	49	38

Code	G1	L	L1	D	S	H	E
0400312.050505	3/4"	41	27	18	2,5	52	43
0400312.050707	1"	45	30	24	2,5	56	50
0400312.050909	1"1/4	54	40	29,5	2,5	65	57,5
0400312.051111	1"1/2	64	49	34,5	2,5	75	63,5
0400312.051515	2"	80	66	45,5	2,5	91	73