

90° ELBOW HOSE NOZZLE

Hose nozzles with GAS thread for flexible hose
 Fittings



MODEL CODE: 0400131

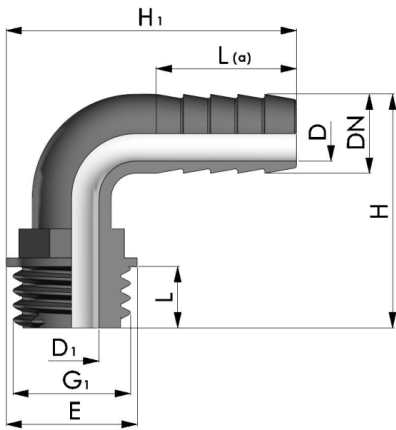
TECHNICAL DATA SHEET

Connectivity standard:	External thread GAS cylindrical ISO 228/1 Bucchi srl for pipe fittings adopts as standard connection ISO 228/1; in order to improve hydraulic seal has decided to create its own internal regulations, based on a soft conical thread. Therefore it is noted that to ensure the hydraulic seal declared Hose connector DN
Material:	Polypropylene (PP)
Color:	Black (RAL 9011)
Operating pressure:	6 bar at 20°C
Max working temperature:	80°C

Torques

Filettature - Threads - Filetts	1/4"	3/8"	1/2"	3/4"	1"	1"1/4	1"1/2	2"
Serraggio Max materiale PP - Max Tightening PP material - Serrage Max Matériel PP	2 Nm	3 Nm	6 Nm	8 Nm	10 Nm	15 Nm	20 Nm	25 Nm
Serraggio Max materiale PA - Max Tightening PA material - Serrage Max Matériel PA	3 Nm	5 Nm	8 Nm	10 Nm	12 Nm	17 Nm	30 Nm	35 Nm

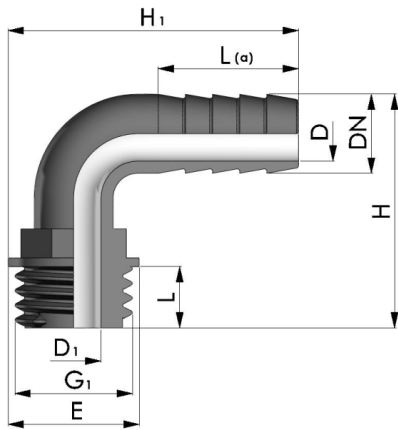
The maximum tightening torques specified for fittings Bucchi depend on the compliance of the threads that reference to international specifications on the threads.



90° ELBOW HOSE NOZZLE for DN hose with male threaded end
 G1
 (L as per ISO 7/1)
 4000 - Outdoor & Gardening

Dimensions

Code	G1	DN mm(inch)	D	D1	H	H1	L(a)	E	L
0400131.050525	3/4"	25 (1")	19,5	19	64	78	30	30,5	14,5
0400131.050730	1"	30 (1"3/16)	24,5	24,5	68	87	28	39	14,5
0400131.050732	1"	32 (1"1/4)	24,5	24,5	69	87	32	39	14,5
0400131.051550	2"	50 (2")	42	48	111	120	32	70	22

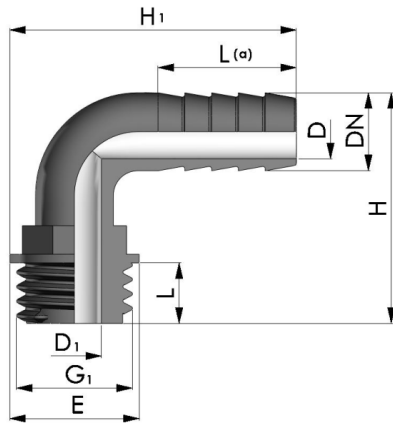


90° ELBOW HOSE NOZZLE for DN hose with male threaded end
 G1

4000 - Outdoor & Gardening

Dimensions

Code	G1	DN mm(inch)	D	D1	H	H1	L(a)	E	L
0400131.050725	1"	25 (1")	19,5	21	66	81	30	39	14
0400131.050930	1"1/4	30 (1"3/16)	25,5	32,5	73	91	28	47	15,5
0400131.050932	1"1/4	32 (1"1/4)	24,5	32,5	74	91	32	47	15,5
0400131.051138	1"1/2	38 (1"1/2)	33	38,5	85	102	35	53,5	15
0400131.051140	1"1/2	40 (1"9/16)	33	38,5	85	102	35	53,5	15



90° ELBOW HOSE NOZZLE for DN hose with male threaded end G1

4000 - Outdoor & Gardening

Dimensions

Code	G1	DN mm(inch)	D	D1	H	H1	L(a)	E	L
0400131.050213	3/8"	13 (1/2")	7	10	43,5	55	30	21	12
0400131.050312	1/2"	12 (15/32")	7	14	44	57	30	25	13,5
0400131.050313	1/2"	13 (1/2")	7	14	44,5	57	30	25	13,5
0400131.050315	1/2"	15 (19/32")	10	14	46,5	57	30	25	13,5
0400131.050316	1/2"	16 (5/8")	11	14	47	57	30	25	13,5
0400131.050320	1/2"	20 (25/32")	15	15,5	61	70	33	25	13,5
0400131.050512	3/4"	12 (15/32")	7	19	45	60	30	31	14,5
0400131.050516	3/4"	16 (5/8")	11	19	50,5	59	30	30,5	14,5
0400131.050520	3/4"	20 (25/32")	15	19	64	72	33	30,5	14,5
0400131.050522	3/4"	22 (7/8")	17	20	62	78	30	30,5	14,5
0400131.050719	1"	19	15	19	54	57	33	38	17
0400131.050720	1"	20 (25/32")	15	19	50,5	59	30	30,5	16,5
0400131.050722	1"	22 (7/8")	17	21	65	80	30	39	14,5