

Brass QUICK COUPLING FITTING for TANKS

M

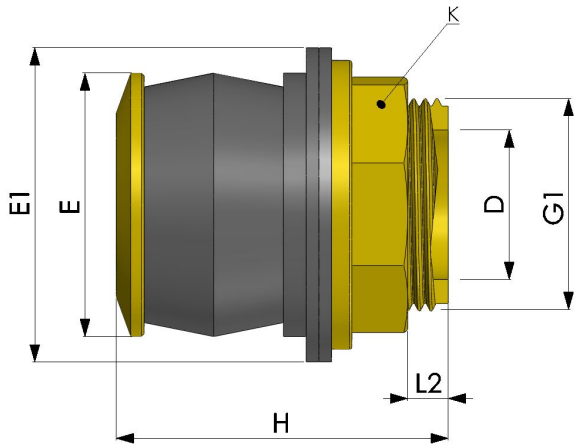
Quick coupling fittings for tank - Quick Joints QJ?
Fittings



MODEL CODE: 0402819

TECHNICAL DATA SHEET

Connectivity standard:	Internal thread GAS cylindrical ISO 228/1.
Material:	EPDM NBR Brass
Operating pressure:	4 bar at 20°C
Max working temperature:	80°C

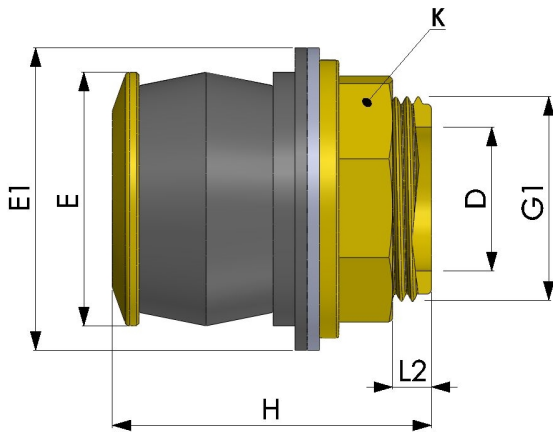


Brass QUICK COUPLING FITTING for TANKS M male threaded and G1 with food rate EPDM gasket, rigid flat PP RING, clamping COLLAR.

4000 - Outdoor & Gardening

Dimensions

Code	G1	E	E1	D	H	L2	K
0402819.190303/E	1/2"	29	37	16	48	12	25
0402819.190505/E	3/4"	35	43	21	53	13	30
0402819.190707/E	1"	43	53	28	55	15	37
0402819.190909/E	1"1/4	52	62	36	60	10	45
0402819.191111/E	1"1/2	59	68	37	52	2	52
0402819.191515/E	2"	70	80	52,6	50	1	64



QJ® - Brass QUICK COUPLING FITTING for TANKS M male threaded and G1 with NBR, rigid flat PP RING, clamping COLLAR.

Dimensions

Code	G1	E	E1	D	H	L2	K
0402819.190303/N	1/2"	29	37	16	48	12	25
0402819.190505/N	3/4"	35	43	21	53	13	30
0402819.190707/N	1"	43	53	28	55	15	37
0402819.190909/N	1"1/4	52	62	36	60	10	45
0402819.191111/N	1"1/2	59	68	37	52	2	52
0402819.191515/N	2"	70	80	52,2	50	1	64